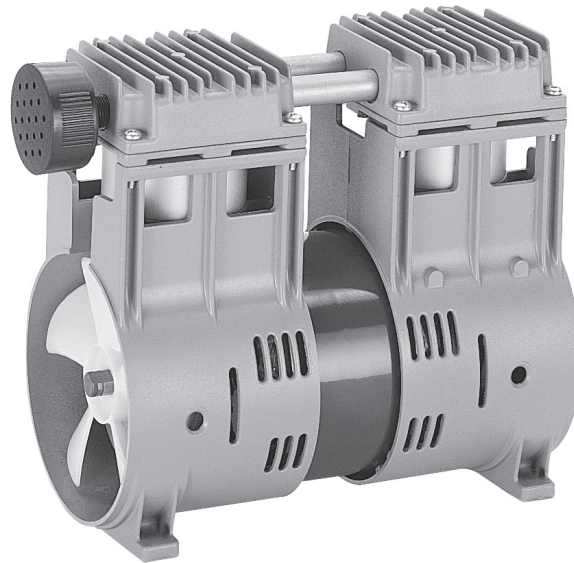




# 2750 SERIES

## MODELS

2750BE75  
2750BGHI75  
2750BS75  
2750CE60  
2750CGHI60  
2750CS60  
2750VEF75  
2750VHI75  
2750VS75



## FEATURES

- Two cylinder, in-line
- Oil-less, non-lube piston and cylinder
- Permanently lubricated bearings
- Stainless steel valves with Patented recessed inlet valve
- Head design allows easily replaced piston seal
- Lightweight die cast aluminum components
- Thin wall, hard-coated aluminum cylinder for maximum heat transfer
- Twin fans provide cooling air through and around motor and cylinders
- 115 Volt, UL recognized motor and thermal protector
- Balanced for smooth, low vibration operation
- Field service capability
- Intake filter
- Capacitor
- All wetted aluminum parts treated for corrosion protection from moisture
- TUV approved 230V 60Hz / 220-240V 50Hz models.

Declaration documentation for applicable models available upon request

Consult factory for custom applications

Thomas Division is an ISO 9001 registered company

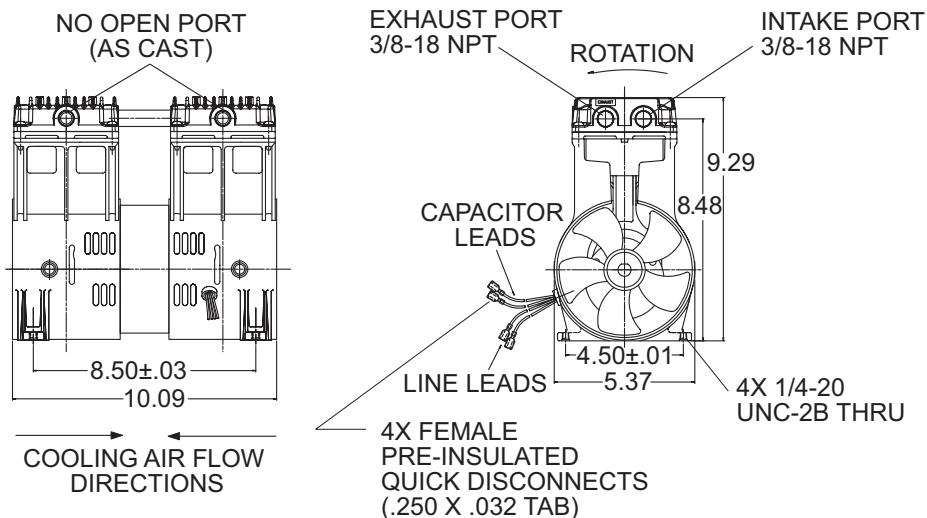
**THOMAS**  
A Gardner Denver Product

# 2750 Series

## Parallel Flow Vacuum Performance Data

MODEL NUMBER		2750BE75		2750BGHI75		2750BS75	
HEAD CONFIGURATION		Vacuum		Vacuum		Vacuum	
STROKE		.750 Inches		.750 Inches		.750 Inches	
VACUUM		Flow @ 115v 60Hz		Flow @ 220v 50Hz/230v 60Hz		Flow @ 100v 50/60Hz	
CFM @ IN. hg	LPM @ mbar (gauge)						
IN. hg	mbar (gauge)	CFM	LPM	CFM	LPM	CFM	LPM
0	0	7.1	199.6	6.4 / 7.1	181.2 / 199.6	6.4 / 7.1	181.2 / 199.6
5	-100	6.3	186.6	5.2 / 6.3	161.1 / 186.6	5.2 / 6.3	161.1 / 186.6
10	-200	4.7	169.4	3.9 / 4.7	140.5 / 169.4	3.9 / 4.7	140.5 / 169.4
15	-400	3.2	117.2	2.7 / 3.2	98.1 / 117.2	2.7 / 3.2	98.1 / 117.2
20	-600	1.8	68.2	1.5 / 1.8	57.9 / 68.2	1.5 / 1.8	57.9 / 68.2
25	-800	0.5	23.8	0.2 / 0.5	15.7 / 23.8	0.2 / 0.5	15.7 / 23.8
MAX. VACUUM		27.0" hg	-915 mbar	27.0" hg	-915 mbar	27.0" hg	-915 mbar
MAX. AMBIENT AIR TEMP.		104° F	40°C	104° F	40°C	104° F	40°C
MIN. AMBIENT START TEMP.		50° F	10°C	50° F	10°C	50° F	10°C
MAX. RESTART PRESSURE		0 PSI	0 bar	0 PSI	0 bar	0 PSI	0 bar
MAX. RESTART VACUUM		0"hg	0 mbar	0"hg	0 mbar	0"hg	0 mbar
MOTOR VOLTAGE/FREQUENCY		115/60/1		220/240-50/1 - 230-60/1		100/50/60/1	
MOTOR TYPE		Permanent Split Cap.		Permanent Split Cap.		Permanent Split Cap.	
CURRENT AT RATED LOAD (AMPS)		3.25		1.7 / 2.0		4.0 / 4.4	
POWER AT RATED LOAD (WATTS)		370		390 / 410		342 / 435	
STARTING CURRENT (LOCKED ROTOR, AMPS)		17.0		8.7		19.7 / 18.7	
CAPACITOR VALUE		20 mfd		12.5 mfd		40 mfd	
MIN. FULL LOAD SPEED (RPM)		1730		1440 / 1700		1440 / 1700	
THERMAL PROTECTOR		Yes		Yes		Yes	
NET WEIGHT		20 lbs.	9 kg	21 lbs.	9.5 kg	21 lbs.	9.5 kg

The information presented in this material is based on technical data and test results of nominal units. It is believed to be accurate and reliable and is offered as an aid to help in the selection of Thomas products. It is the responsibility of the user to determine the suitability of the product for his intended use and the user assumes all risk and liability whatsoever in connection therewith. Thomas Industries does not warrant, guarantee or assume any obligation or liability in connection with this information.

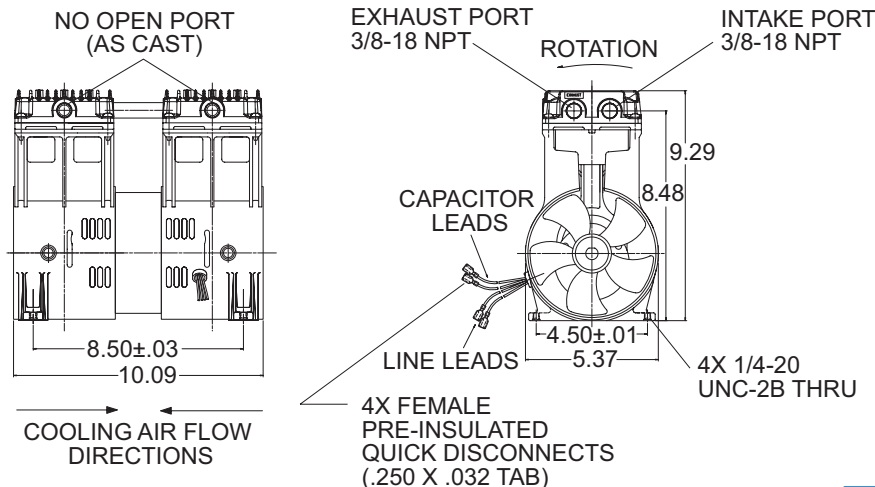


# 2750 Series

## Parallel Flow Pressure/Vacuum Performance Data

MODEL NUMBER		2750CE60		2750CGHI60		2750CS60	
HEAD CONFIGURATION		Pressure/Vacuum		Pressure/Vacuum		Pressure/Vacuum	
STROKE		.600 Inches		.600 Inches		.600 Inches	
PRESSURE		Flow @ 115v		Flow @ 200v/50-Hz-230v/60Hz		Flow @ 115v	
CFM @ PSI	LPM @ bar						
PSI	bar	CFM	LPM	CFM	LPM	CFM	LPM
0	0	6.2	175.3	5.3 / 6.2	149.2 / 175.3	5.3 / 6.2	149.2 / 175.3
5	0.5	6.1	168.2	5.1 / 6.1	142.6 / 168.2	5.1 / 6.1	142.6 / 168.2
10	1.0	5.8	156.3	4.8 / 5.8	130.8 / 156.3	4.8 / 5.8	130.8 / 156.3
15	1.5	5.5		4.6 / 5.5	123.5 / 146.4	4.6 / 5.5	123.5 / 146.4
20	2.0			4.4 / 5.3		4.4 / 5.3	
25	3.0						
<b>MAX. CONTINUOUS PRESSURE</b>		15 PSI	1.0 bar	20 PSI	1.4 bar	20 PSI	1.4 bar
<b>MAX. INTERMITTENT PRESSURE</b>		15 PSI	1.0 bar	20 PSI	1.4 bar	25 PSI	1.7 bar
VACUUM		Flow @ 115v		Flow @ 200v/50-Hz-230v/60Hz		Flow @ 100v-50/60Hz	
CFM @ IN. hg	LPM @ mbar (gauge)						
IN. hg	mbar (gauge)	CFM	LPM	CFM	LPM	CFM	LPM
0	0	6.2	175.3	5.3 / 6.2	149.2 / 175.3	5.3 / 6.2	149.2 / 175.3
5	-100	5.0	146.2	4.2 / 5.0	131.7 / 146.2	4.3 / 5.0	131.7 / 146.2
10	-200	3.7	120.6	3.2 / 3.7	112.8 / 120.6	3.2 / 3.7	112.8 / 120.6
15	-400	2.6	85.5	2.2 / 2.6	80.3 / 85.5	2.2 / 2.6	80.3 / 85.5
20	-600	1.4	49.6	1.3 / 1.4	47.5 / 49.6	1.3 / 1.4	47.5 / 49.6
25	-800	0.4	15.9	0.4 / 0.4	15.4 / 15.9	0.4 / 0.4	15.4 / 15.9
<b>MAX. VACUUM</b>		27" hg	-915 mbar	27" hg	-915 mbar	27" hg	-915 mbar
<b>MAX. AMBIENT AIR TEMP.</b>		104° F	40°C	104° F	40°C	104° F	40°C
<b>MIN. AMBIENT START TEMP.</b>		50° F	10°C	50° F	10°C	50° F	10°C
<b>MAX. RESTART PRESSURE</b>		0 PSI	0 bar	0 PSI	0 bar	0 PSI	0 bar
<b>MAX. RESTART VACUUM</b>		0"hg	0mbar	0"hg	0mbar	0"hg	0mbar
<b>MOTOR VOLTAGE/FREQUENCY</b>		115/60/1		220-240/50/1-230/60/1		100/50/60/1	
<b>MOTOR TYPE</b>		Permanent Split Cap.		Permanent Split Cap.		Permanent Split Cap.	
<b>CURRENT AT RATED LOAD (AMPS)</b>		4.22		2.20 / 2.40		5.32 / 6.07	
<b>POWER AT RATED LOAD (WATTS)</b>		460		520 / 545		491 / 596	
<b>STARTING CURRENT (LOCKED ROTOR, AMPS)</b>		17.0		8.7		19.7 / 18.7	
<b>CAPACITOR VALUE</b>		20 mfd		12.5 mfd		40 mfd	
<b>MIN. FULL LOAD SPEED (RPM)</b>		1690		1400 / 1675		1400 / 1700	
<b>THERMAL PROTECTOR</b>		Yes		Yes		Yes	
<b>NET WEIGHT</b>		20.0 lbs.	9.0 kg	21.0 lbs.	9.5 kg	21.0 lbs.	9.5 kg

The information presented in this material is based on technical data and test results of nominal units. It is believed to be accurate and reliable and is offered as an aid to help in the selection of Thomas products. It is the responsibility of the user to determine the suitability of the product for his intended use and the user assumes all risk and liability whatsoever in connection therewith. Thomas Industries does not warrant, guarantee or assume any obligation or liability in connection with this information.



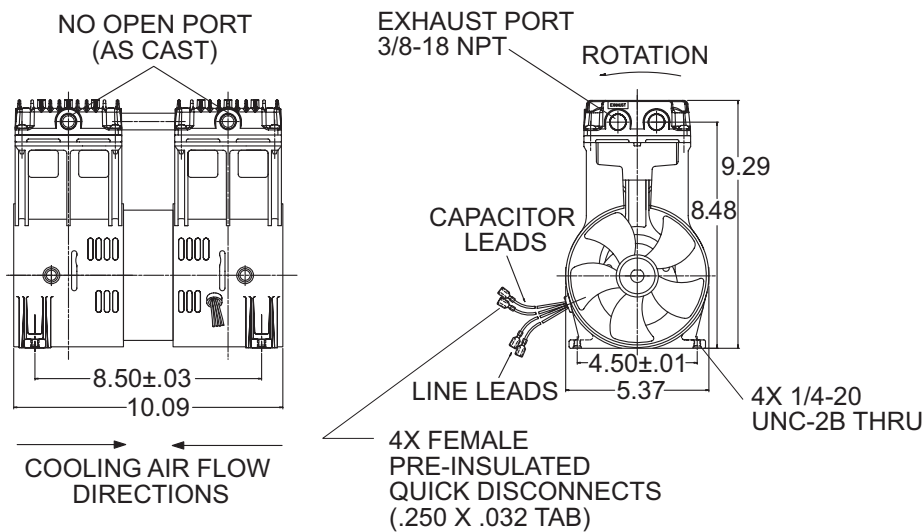
# 2750 Series

## Two-Stage Vacuum Performance Data

MODEL NUMBER		2750VEF75		2750VHI75		2750VS75	
HEAD CONFIGURATION		Vacuum		Vacuum		Vacuum	
STROKE		.750 Inches		.750 Inches		.750 Inches	
VACUUM		Flow @ 110v 50Hz/115v 60Hz		Flow @ 220v 50Hz		Flow @ 100v 50/60Hz	
CFM @ IN. hg	LPM @ mbar (gauge)						
IN. hg	mbar (gauge)	CFM	LPM	CFM	LPM	CFM	LPM
0	0	3.14 / 3.64	88.9 / 103.0	3.14	88.9	3.14 / 3.64	88.9 / 103.0
5	-100	2.65 / 3.06	80.7 / 93.3	2.65	80.7	2.65 / 3.06	80.7 / 93.3
10	-200	2.05 / 2.39	71.9 / 83.2	2.05	71.9	2.05 / 2.39	71.9 / 83.2
15	-400	1.48 / 1.70	52.1 / 60.5	1.48	52.1	1.48 / 1.70	52.1 / 60.5
20	-600	0.90 / 1.07	32.9 / 38.4	0.90	32.9	0.90 / 1.07	32.9 / 38.4
25	-800	0.40 / 0.47	15.2 / 17.9	0.40	15.2	0.40 / 0.47	15.2 / 17.9
MAX. VACUUM		29.1" hg	-986 mbar	29.0" hg	-983 mbar	29.1" hg	-986 mbar
MAX. AMBIENT AIR TEMP.		104° F	40°C	104° F	40°C	104° F	40°C
MIN. AMBIENT START TEMP.		50° F	10°C	50° F	10°C	50° F	10°C
MAX. RESTART PRESSURE		0 PSI	0 bar	0 PSI	0 bar	0 PSI	0 bar
MAX. RESTART VACUUM		0"hg	0 mbar	0"hg	0 mbar	0"hg	0 mbar
MOTOR VOLTAGE/FREQUENCY		115/60/1-110/50/1		220-240/50/1		100/50/60/1	
MOTOR TYPE		Permanent Split Cap.		Permanent Split Cap.		Permanent Split Cap.	
CURRENT AT RATED LOAD (AMPS)		4.1 / 3.2		1.3 / 1.4		3.3 / 3.9	
POWER AT RATED LOAD (WATTS)		290 / 330		260 / 290		290 / 390	
STARTING CURRENT (LOCKED ROTOR, AMPS)		17.0		8.7		19.7 / 18.7	
CAPACITOR VALUE		20 mfd		12.5 mfd		40 mfd	
MIN. FULL LOAD SPEED (RPM)		1460 / 1750		1460 / 1465		1460 / 1750	
THERMAL PROTECTOR		Yes		Yes		Yes	
NET WEIGHT		20 lbs.	9 kg	21 lbs.	9.5 kg	21 lbs.	9.5 kg

The information presented in this material is based on technical data and test results of nominal units. It is believed to be accurate and reliable and is offered as an aid to help in the selection of Thomas products. It is the responsibility of the user to determine the suitability of the product for his intended use and the user assumes all risk and liability whatsoever in connection therewith. Thomas Industries does not warrant, guarantee or assume any obligation or liability in connection with this information.

**NOTE:** Models pictured are representative of the series and do not represent a specific model number. Consult factory for detailed physical description.



**THOMAS**  
A Gardner Denver Product